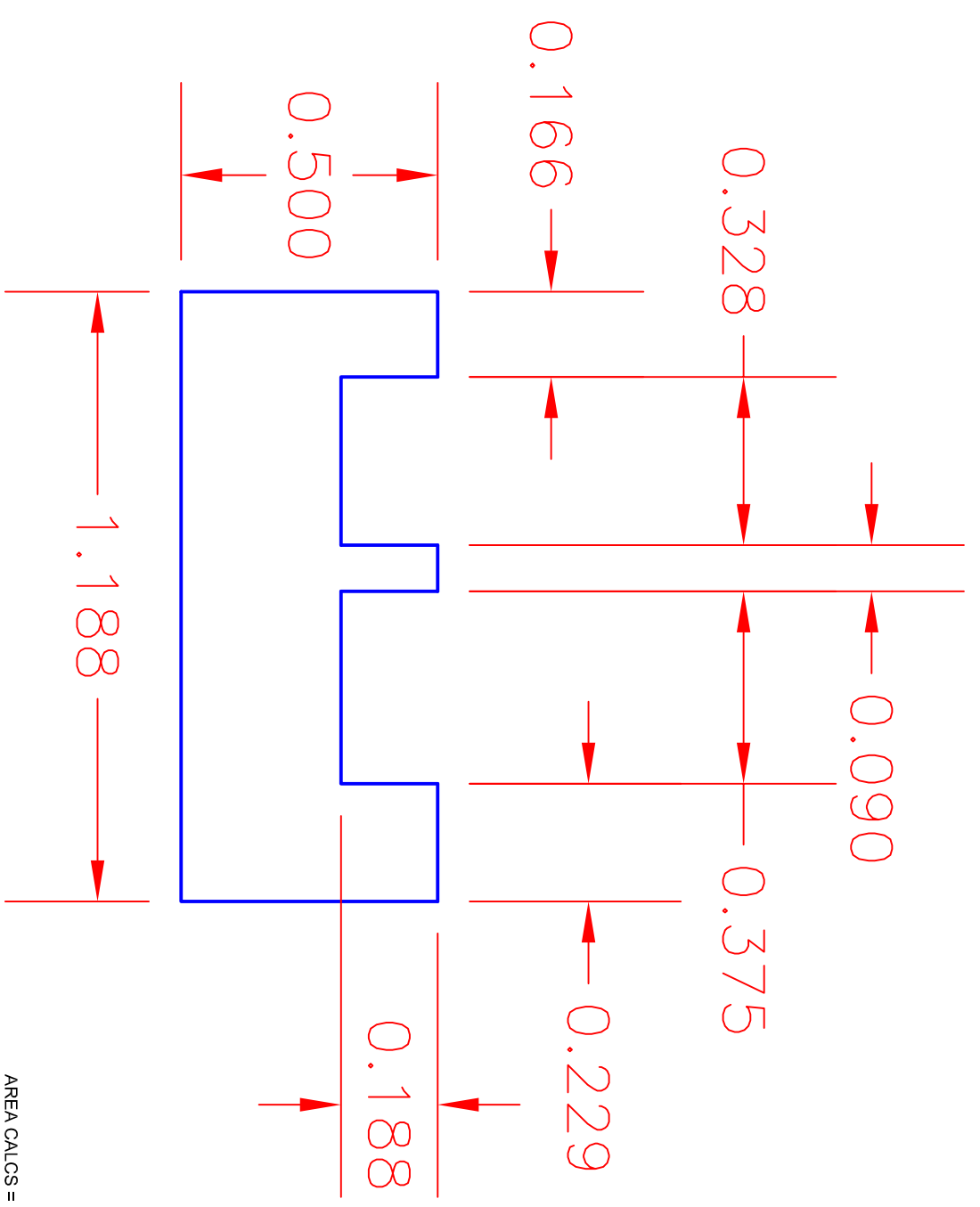
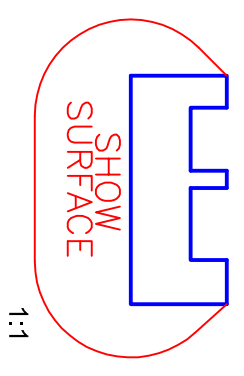


REVISIONS			
REV	DESCRIPTION	DATE	APPROVED



AREA CALCS = 0.462 IN²



SIGNATURES		TOLERANCES	
DRAWN	DATE		BOW TOLERANCE: +/- .375" OVER A DISTANCE OF 6"
CUSTOMER APPROVAL			SKI TOLERANCE: +/- .500" OVER A DISTANCE OF 6"
FINAL APPROVAL			CUP TOLERANCE: +/- .030"
		ALL TOLERANCES MEASURED IN INCHES	
		ALL TOLERANCES: +/- .030 UNLESS OTHERWISE SPECIFIED	
		"NATIONAL WOODWORK" BLIND STOP	
2030 W Bender Rd. Milwaukee, WI 53209 (414) 228-9800		SIZE	SCALE
		B	3:1
		DATE	DRAWING
		06-15-1999	P-0415
			DRAWN BY
			V. RODRIGUEZ
			REV
			A
<small>THIS DOCUMENT AND DESIGN ARE THE PROPERTY OF GOSSEN CORP. UNAUTHORIZED USE, REPRODUCTION OR DISCLOSURE IS PROHIBITED WITHOUT PRIOR WRITTEN CONSENT</small>			