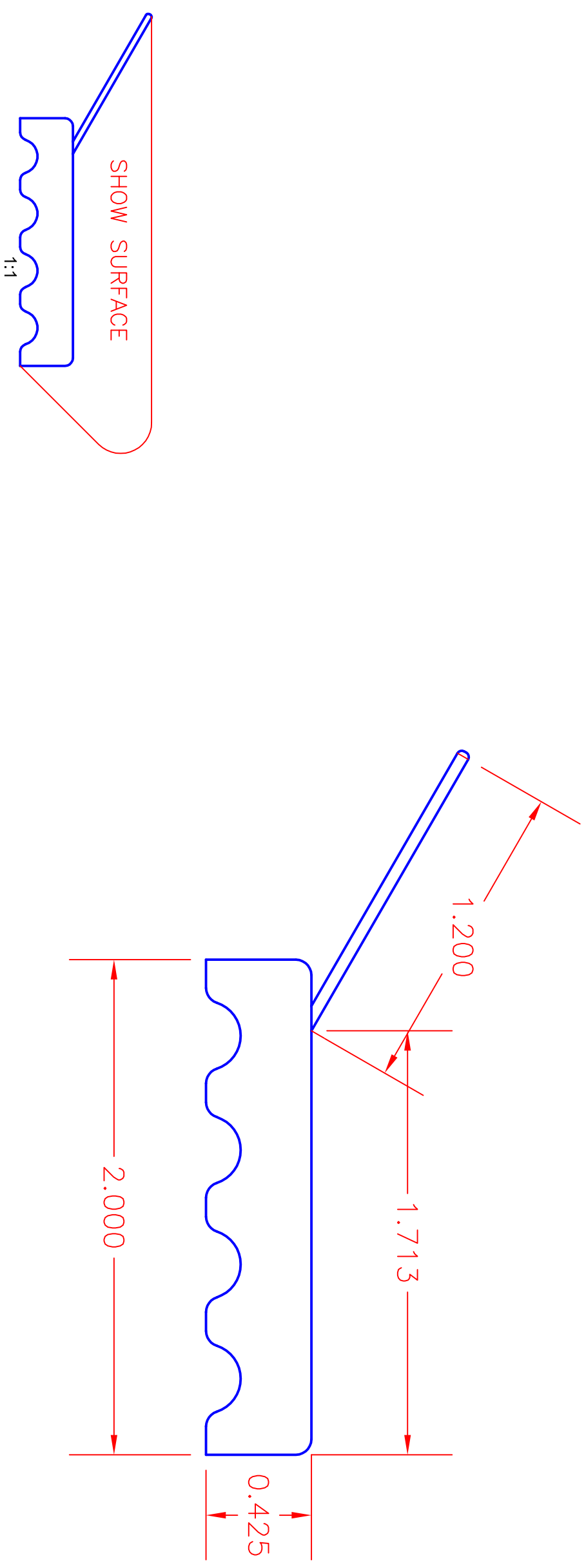


REVISIONS			
REV	DESCRIPTION	DATE	APPROVED



PVC AREA CALCS = 0.722 IN²
 FLEX AREA CALCS = 0.062 IN²

SIGNATURES		TOLERANCES	
DRAWN	DATE		BOW TOLERANCE: +/- .375" OVER A DISTANCE OF 6"
CUSTOMER APPROVAL			SKI TOLERANCE: +/- .500" OVER A DISTANCE OF 6"
FINAL APPROVAL			CUP TOLERANCE: +/- .030"
		ALL TOLERANCES MEASURED IN INCHES	
		ALL TOLERANCES: +/- .030 UNLESS OTHERWISE SPECIFIED	
		A-TECH WEATHERSTRIP TOP FLAP	
2030 W Bender Rd. Milwaukee, WI 53209 (414) 228-9800		SIZE	SCALE
		B	2:1
		DATE	DRAWING
		03-16-2006	P-0238
		DRAWN BY	REV
		K. KATZNER	A
THIS DOCUMENT AND DESIGN ARE THE PROPERTY OF GOSSEN CORP. UNAUTHORIZED USE, REPRODUCTION OR DISCLOSURE IS PROHIBITED WITHOUT PRIOR WRITTEN CONSENT			