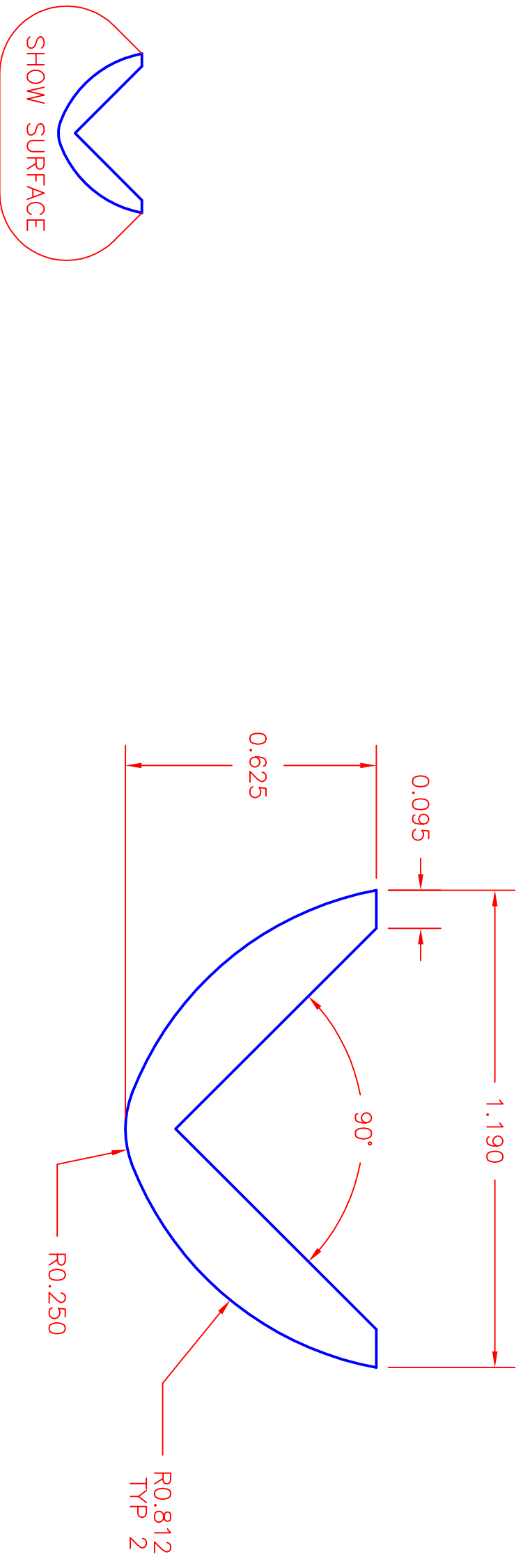

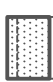




REVISIONS			
REV	DESCRIPTION	DATE	APPROVED



AREA CALCS = 0.278 IN²

SIGNATURES		TOLERANCES	
DRAWN	DATE		BOW TOLERANCE: +/- .375" OVER A DISTANCE OF 6'
CUSTOMER APPROVAL			SKI TOLERANCE: +/- .500" OVER A DISTANCE OF 6'
FINAL APPROVAL			CUP TOLERANCE: +/- .030"
		ALL TOLERANCES MEASURED IN INCHES	
		ALL TOLERANCES: +/- .030 UNLESS OTHERWISE SPECIFIED	
 GOSSEN MOULDINGS™ <small>INNOVATIVE • SUPERIOR • GUARANTEED</small>		1009 OUTSIDE CORNER	
2030 W Bender Rd. Milwaukee, WI 53209 (414) 228-9800		SIZE	SCALE
		B	3:1
		QUOTE	DATE
			08-31-1999
		DRAWING	DRAWN BY
		P-0003	D. VOLL
		REV	
			A
<small>THIS DOCUMENT AND DESIGN ARE THE PROPERTY OF GOSSEN CORP. UNAUTHORIZED USE, REPRODUCTION OR DISCLOSURE IS PROHIBITED WITHOUT PRIOR WRITTEN CONSENT</small>			